

NANOCAM+

Full HD Discreet Barrel Dash Camera
with inbuilt GPS & WIFI



1080p
FULLHD

USER MANUAL

Your Safety. Our Priority

NCP-BDVR1



CONTENTS

1.0 CAUTION	3
2.0 BATTERY WARNING	3
3.0 SD CARD WARNING	4
3.1 FORMATTING THE INSERTED MICRO SD CARD	4
4.0 INTRODUCTION	5
5.0 PACKAGE CONTENTS	6
6.0 PRODUCT OVERVIEW	6
7.0 INSTALLATION INSTRUCTIONS	7
7.1 NCP-BDVR1 installation	7
8.0 SOUND ALERTS	8
8.1 Real-Time Audio Road Alerts*	8
8.2 Speed Camera Alert.....	8
8.3 Blackspot Alert	8
8.4 School Zone Alert.....	9
8.5 Railway Crossing Alert.....	9
9.0 24 HOUR PARKMODE*	9
10.0 KEY FUNCTIONS	10
11.0 DOWNLOAD AND INSTALLING THE NCP-BDVR APP	10

12.0	NCP-BDVR APP OPERATION.....	12
12.1	App Video Playback.....	12
12.2	Downloading videos from the App.....	13
12.3	Sharing videos on Social Media.....	14
12.4	NCP-BDVR App Settings.....	15
13.0	WARRANTY TERMS & CONDITIONS.....	17
14.0	NOTES.....	18

1.0 CAUTION

- Ensure you are using your Dash Camera within your countries' road laws. Please make sure you are familiar with your local road legislation before use.
- Please set time and date before you use this device to record.
- The notifications given by the Dash Camera are suggestions only, please drive to the actual conditions.
- The system is to be used only for non-commercial use, within the limits permitted by the relevant laws
- Avoid using the Dash Camera in the vicinity of any devices that emit radio interference (eg. Microwave Ovens).
- It is considered normal operation for the Dash Camera to get warm during use.

2.0 BATTERY WARNING

- Always charge the Dash Camera using the provided charger. Improper charging of the Dash Camera may result in failure of the internal battery.
- Never dismantle the Dash Camera or expose the internal battery.
- Do not dispose of the Dash Camera in fire.
- Dispose of the Dash Camera observing local regulations being mindful of the internal battery.
- Do not attempt to replace or expose the internal battery.

3.0 SD CARD WARNING

This Dash Camera can only be used with Micro SD Cards, Class 10 or above with 32GB - 128 GB storage capacity. Not Included. Please format your SD card before use.

NOTE:

- Formatting the Micro SD card will delete all information on the inserted Micro SD Card and prepare the card for use with the Car DVR.

3.1 FORMATTING THE INSERTED MICRO SD CARD

Please download the NCPBDVR app and connect your Dash camera with the downloaded app by following the steps as mentioned on page 10.

Please enter into Settings Section and press Format SD card.

DVR will format SD card and will give audio notification that the SD card has been formatted.

NOTES ON INSTALLATION

1. It is advised that the Dash Camera is installed near the rear view mirror, at the top centre of the windshield for optimal operation.
2. Make sure that the lens is within the range of the windscreen wiper to ensure a clear view when it rains.
3. Do not touch the lens with your fingers. Finger prints left on the lens will result in unclear videos or photos. If photos or videos are blurred, please clean the lens gently with a microfibre cloth.
4. Only use the included charging cable to power the Dash Camera.

4.0 INTRODUCTION

Thank you for purchasing a Nanocam Plus Dash Camera. We are certain that our product will give you trouble free operation while providing you with a safety feature that enhances your driving experience. Our products, like most after-market safety enhanced devices, are designed to assist and aid the driver, not to replace the manual function of the person operating the vehicle. Please read through these instructions before attempting to install this product.

For the latest manual and product updates, please visit our website at **www.nanocamplus.com.au** or **www.nanocamplus.co.nz**

5.0 PACKAGE CONTENTS



NCP-BDVR1
Dash Cam x1



Electrostatic
Film x2



Spare 3M
Adhesive x1



12/24V Power
Adapter x1

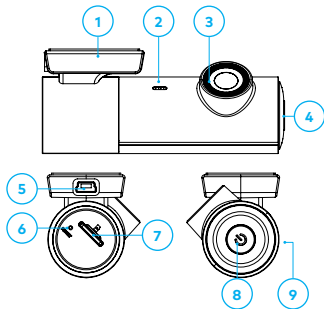


User Guide x1

6.0 PRODUCT OVERVIEW

FRONT CAMERA

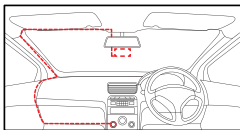
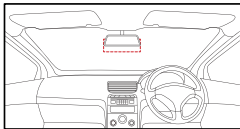
1. Adhesive Sticker
2. Speaker Vent
3. Camera Lens
4. Recording indicator LED
5. Mini USB connector (for power)
6. Reset button
7. SD card Slot
8. Power button/WIFI ON & OFF/Lock file
9. Microphone



7.0 INSTALLATION INSTRUCTIONS

7.1 NCP-BDVR1 INSTALLATION

1. **OPTIONAL:** Select the electrostatic film from the box and install it on the front windshield in the recommended position as shown below. Please wipe the glass before installation and push out the bubbles between the static film and the glass before installation.
2. Remove the protective film off the NCP-BDVR1 and position the DVR in the middle of the electrostatic film (optional). Press down on the base of the bracket by hand for 30 seconds to ensure that the sticker adhesive is attached to the electrostatic film, adjust the camera by rotating the barrel until it is capturing the entire road.
3. Run the NCP-BDVR1 cable along the top of the front windshield through the A pillar and around and under the storage compartment of the passenger seat to the car's 12/24v adapter port. Connect the 12/24v adapter to the car power.



NOTE:

- Electrostatic film helps for easy removal of dash camera from the windshield. Included in package contents.

8.0 SOUND ALERTS

The NCP-BDVR1 will provide a sound alert to keep you updated with the status of your dash camera. Audio notifications will come through the in-built speaker of the NCP-BDVR1, see below.

- Recording Started/Stopped
- Turning On/Off WIFI
- Emergency Recording Started/Stopped
- Rear camera is not Connected, Please check the connection
- Please insert SD card
- Factory Reset Started/ Completed

8.1 REAL-TIME AUDIO ROAD ALERTS*

Your Dash Camera comes with the added feature of providing real time road safety alerts. An audio warning will alert you of your actual live speed, speed limit (if applicable) and distance to the alert (eg. Speed Camera). These alerts can be individually disabled from the settings menu on the NCP-BDVR App.

- * Here Maps does not support School Zone & Accident Blackspot Alerts for New Zealand.

8.2 SPEED CAMERA ALERT

Fixed Speed camera alerts you on the speed limit with your current speed and the distance count down.

8.3 BLACKSPOT ALERT

Blackspot alerts you before you enter a high accident zone.

8.4 SCHOOL ZONE ALERT

The School Zone alerts will appear 24/7 and cannot be setup to appear only during specific School Zone times.

8.5 RAILWAY CROSSING ALERT

Railway Crossing alert gives you a warning before a railway crossing.

NOTE:

- Sound Alerts can be disabled or sound can be lowered through NCP-BDVR App Volume Settings. Please refer to the App section.

9.0 24 HOUR PARKMODE*

When activated, Parkmode will monitor the DVR's G Sensor after you have turned off your vehicle. If an impact is detected the DVR will power up and record a 60 second clip.

NOTES:

- Park mode requires the DVR's internal battery to be fully charged.
- Park Mode is activated when an impact is detected and will record from that point onward.
- Can record a maximum of 10 impact videos in 24 Hours when fully charged.

10.0 KEY FUNCTIONS

By pressing the Power button multiple times you can access several quick key functions.

OPERATION	FUNCTION
Press and Hold for 2 seconds	On/Off Device
Press Once	On/Off WiFi
Quick Press x2	Lock File
Quick Press x5	Reset To Default Setting

11.0 DOWNLOAD AND INSTALLING THE NCP-BDVR APP

The NCP-BDVR1 needs to be used in combination with NCP-BDVR App to function correctly.

All major settings on the NCP-BDVR1 are edited through the NCP-BDVR App. The system requirements for your smart phone are noted below.

iPhone: iPhone 5 or later using iOS 8.0 and above.

Samsung Galaxy: S3 and later using Android 4.2.2 and above.

For you to correctly connect your smart device to your NCP-BDVR you will need to have the NCP-BDVR App from the App store. You will also need to connect your smart phone to the NCP-BDVR1's WiFi signal using your smartphones WiFi settings.

For Android devices

Please search NCP-BDVR in Play Store for installation.

For iOS devices

Please search NCP-BDVR in App Store for installation.

For a step by step guide on connecting to your Dash Cam please follow the steps below.

1. On your smart device download the NCP-BDVR App from the Google Play store if you are using an Android device, or the iOS App store if you are using an iPhone.
2. Power up the NCP-BDVR1 and allow 2 minutes for the WiFi connection to start.
3. Once the App is downloaded and installed on your phone and the Dash Cam is powered up, open your phones WiFi settings and connect to the wireless connection named NCPBDVR1.
4. When prompted enter the password 12345678

WiFi Name: NCP-BDVR1

Password: 12345678

5. Once the connection has been made, open the NCP-BDVR App. You will now be able to access the live recording screen for the front and rear cameras, the stored videos, and the Dash Cams settings.

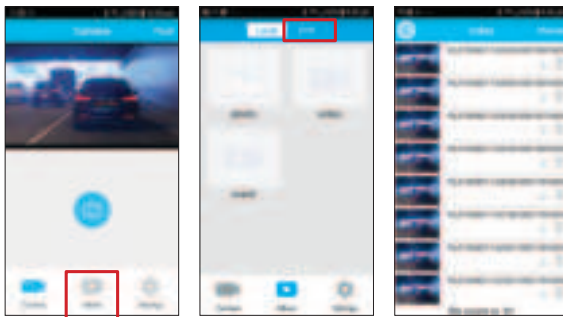
12.0 NCP-BDVR APP OPERATION

To use the NCP-BDVR App your smart device will need to be connected to the Dash Cams wireless connection. For instructions on connecting please see the section of the manual named WiFi Connection.

12.1 APP VIDEO PLAYBACK

For Video Playback, please follow the instructions below.

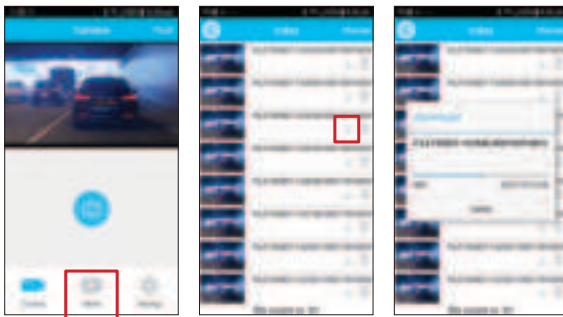
1. Open the NCP-BDVR APP.
2. Press the Album Button.
3. Click on the Video Folder and select the video you want to view.



12.2 DOWNLOADING VIDEOS FROM THE APP

For downloading videos, please follow the instructions below.

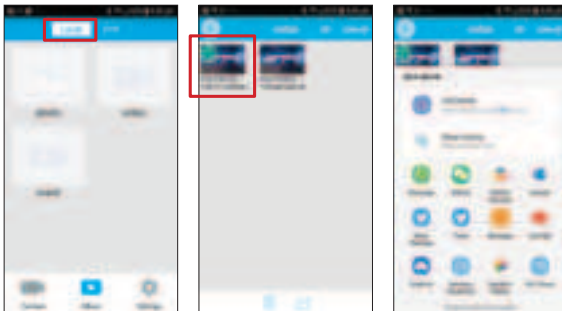
1. Open the NCP-BDVR App.
2. Press the Album Button.
3. Select the video/videos and press the download button.
4. The download will start and will save to your phone which can also be accessed through the NCP-BDVR App in Folder name Local.



12.3 SHARING VIDEOS ON SOCIAL MEDIA

To share videos on Social Media, please follow the instructions below.

1. Open the NCP-BDVR App.
2. Press the Album Button.
3. Open the Local folder on the NCP-BDVR App, all downloaded files can be accessed via the local folder.
4. Select the files you want to share, and then press the share button below.
5. Select the Social media application you wish to share on.



12.4 NCP-BDVR APP SETTINGS

MENU	SETTING	DESCRIPTION
Microphone	On, Off	Turns Microphone on/off
Speed Camera Alerts	On, Off	Turns Speed Camera Alerts on/off
Loop Recording	1 & 3 Minutes	Loop recording allows you to set the duration that the camera will record before creating a new clip
Volume	Off, Low, Mid, High	Controls the sound level of inbuilt speaker
G-Sensor	Off, High, Mid, Low	The G-Sensor monitors your vehicle against impact. The DVR will automatically lock the recording in the event of a collision. Turn off or adjust the sensitivity of the built in G- Sensor.
Parkmode	On, Off	Records 60 seconds of footage if activity is detected while parked. Default: Off
Adjust Time	Day, Month, Year	Adjusts the time on timestamp.

NCP-BDVR APP SETTINGS CONT'

MENU	SETTING	DESCRIPTION
Format SD Card	Formats the SD card.	Deletes all recorded data off the SD Card.
WIFI Settings	N/A	Change the DVR's WIFI Name and password from default.
Factory Settings	N/A	To Restore factory settings.
Help	N/A	FAQ
About DVR	N/A	Firmware version

13.0 WARRANTY TERMS & CONDITIONS

Our goods come with guarantees that cannot be excluded under the Australian & New Zealand Consumer Law. You are entitled to a replacement or refund for a major failure and for compensation for any other reasonably foreseeable loss or damage. You are also entitled to have the goods repaired or replaced if the goods fail to be of acceptable quality and the failure does not amount to a major failure.

This warranty is provided in addition to your rights under the Australian & New Zealand Consumer Law.

NanoCam Plus warrants that this product is free from defects in material and workmanship for a period of 12 months from the date of purchase or for the period stated on the packaging. This warranty is only valid where you have used the product in accordance with any recommendations or instructions provided by NanoCam Plus.

This warranty excludes defects resulting from alterations of the product, accident, misuse, abuse or neglect.

In order to claim the warranty, you must return the product to the retailer from which it was purchased or if that retailer is part of a National network, a store within that chain, along with satisfactory proof of purchase. The retailer will then return the goods to NanoCam Plus.

NanoCam Plus will repair, replace or refurbish the product at its discretion. The retailer will contact you when the product is ready for collection. All costs involved in claiming this warranty, including the cost of the retailer sending the product to NanoCam Plus, will be borne by you.

Ph: +61 03 8331 4800

Email: info@nanocamplus.com.au

14.0 NOTES

Your Safety. Our Priority



All Images, Information and Content are Copyright © 2020
Directed Electronics Australia Pty Ltd. All Rights Reserved.

www.nanocamplus.com.au | www.nanocamplus.co.nz

DIRECTED.
AUSTRALIA & NZ

www.directed.com.au
www.directed.co.nz